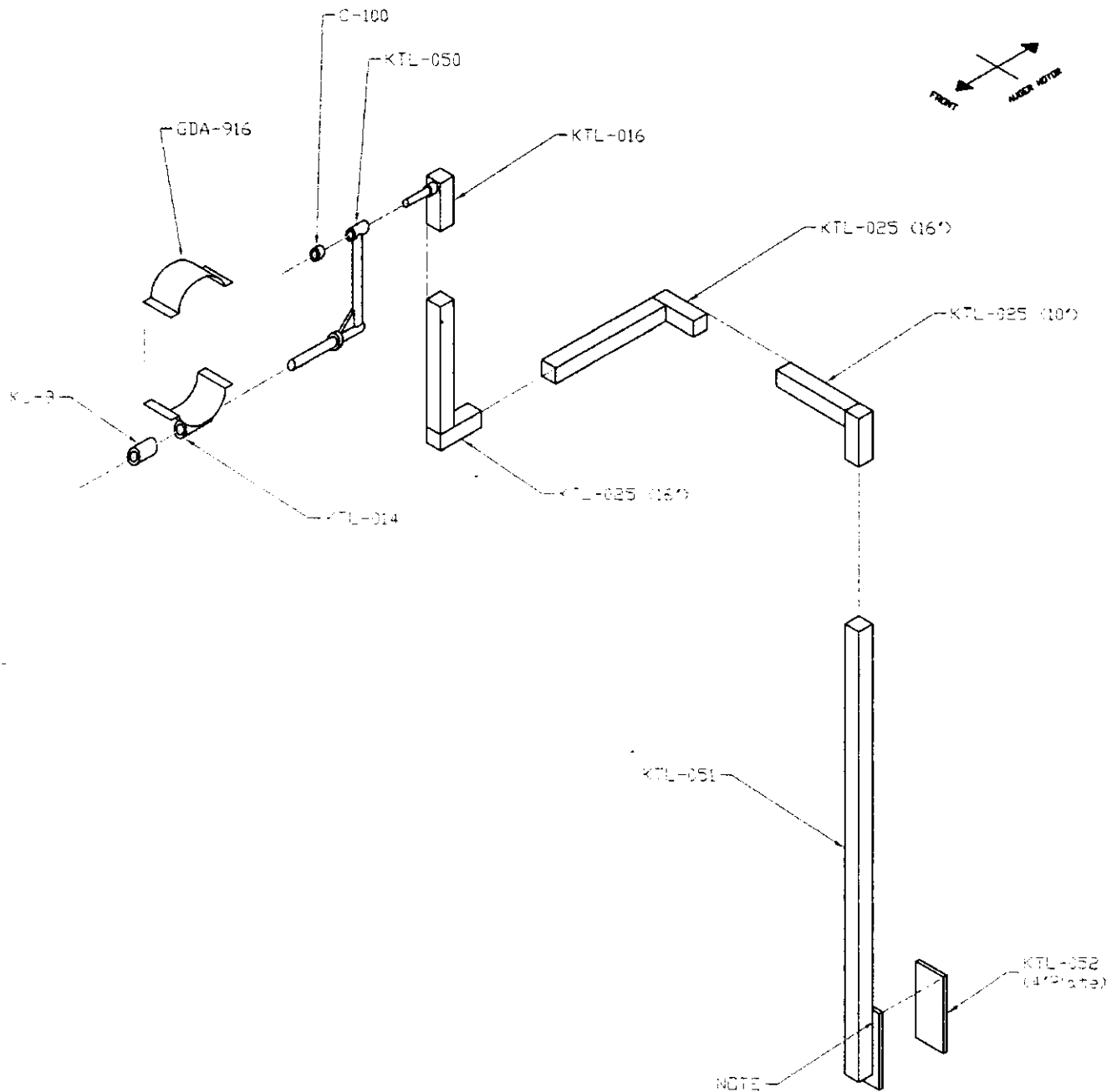


Bracket# 1



NOTE:

Use Special bolts (5/8"x7") in top holes of the KTL-051 Mounting Bracket.

Part # -----

Rev. # 1

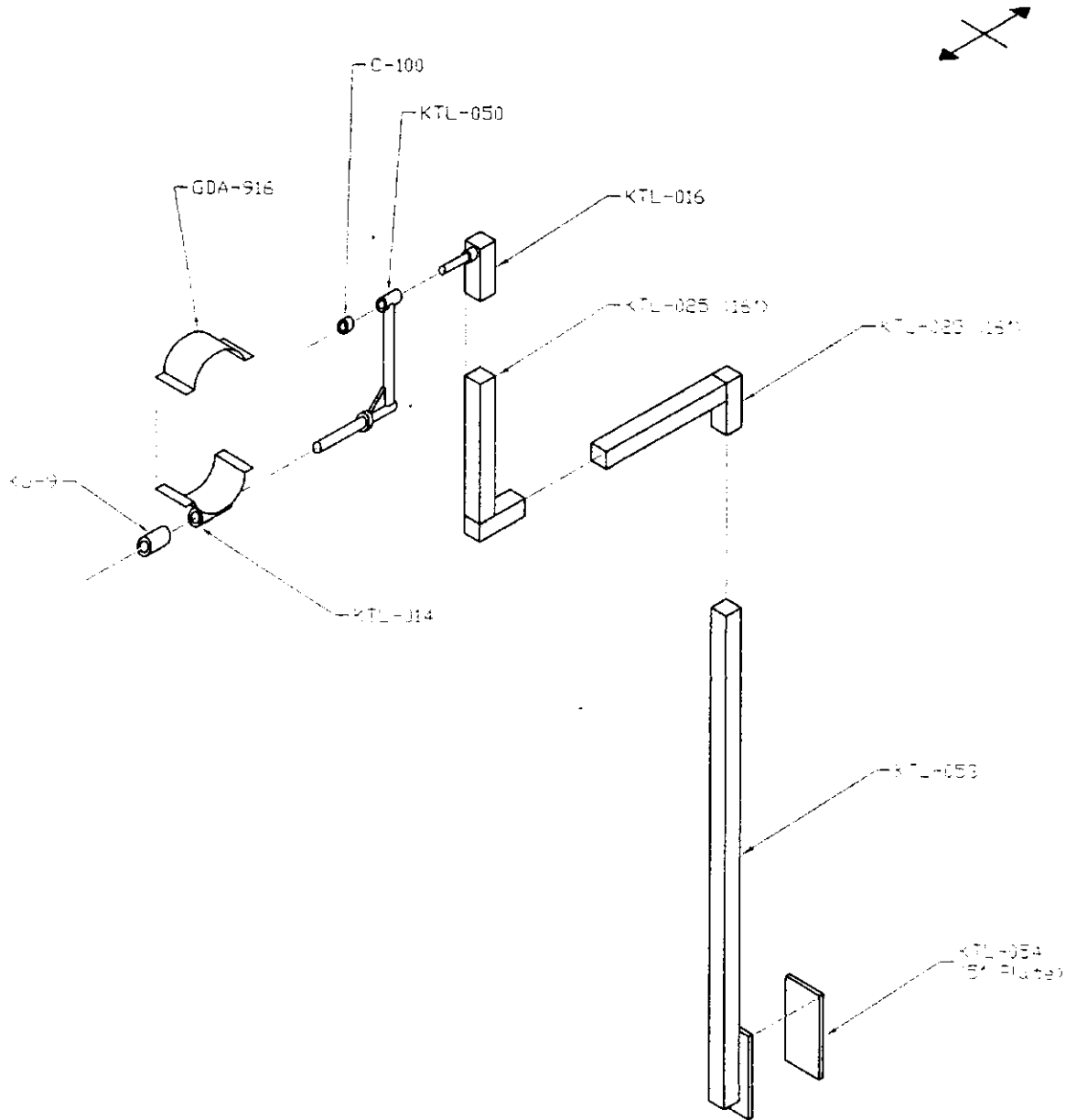
Date: 02/08/05



Scale: 1-1

User: JH

Bracket# 2,5,8,11



Part # -----

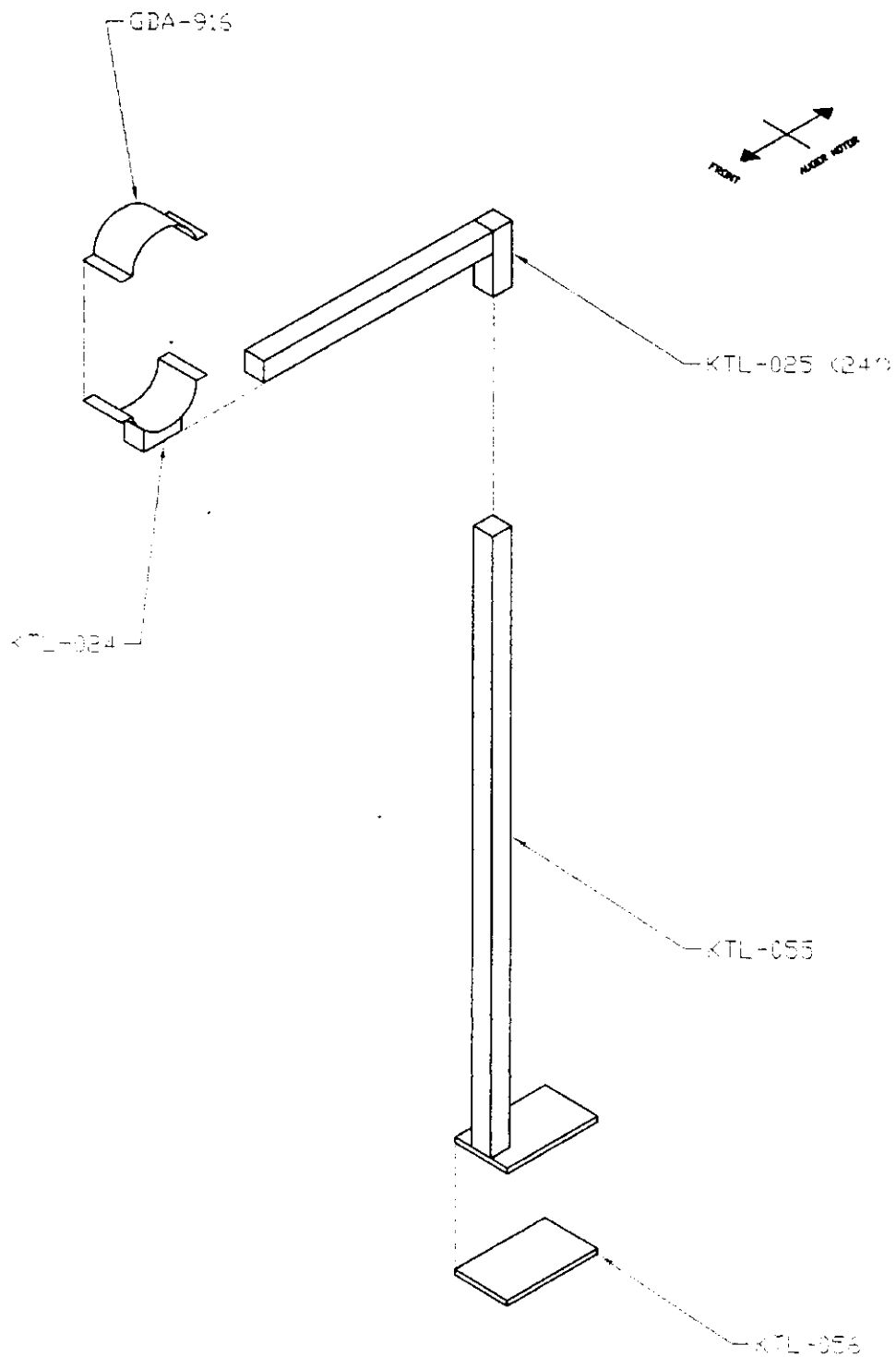
Rev. # 1

Date: 02/08/05



Scale: 1-1
User: JH

Bracket# 3,4



Part # -----

Rev. # 1

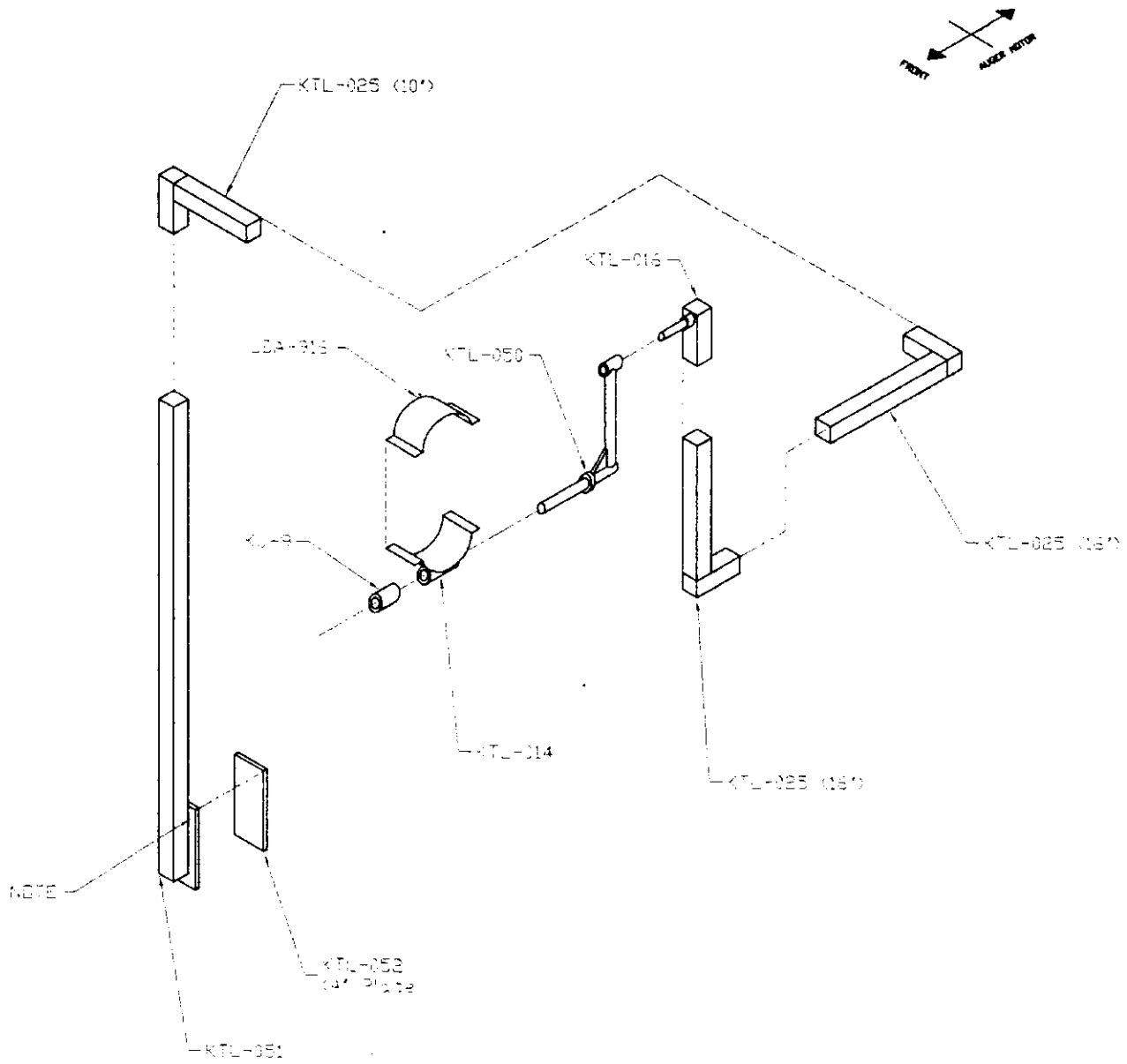
Date: 02/08/05

VASCO MFG. CO. INC.
SHELBYVILLE, INDIANA

Scale: 1-1

User: JH

Bracket# 6



NOTE

NOTE:
 Use Special bolts (5/8"x7") in top holes of the KTL-051 Mounting Bracket.

Part # -----

Rev. # 1

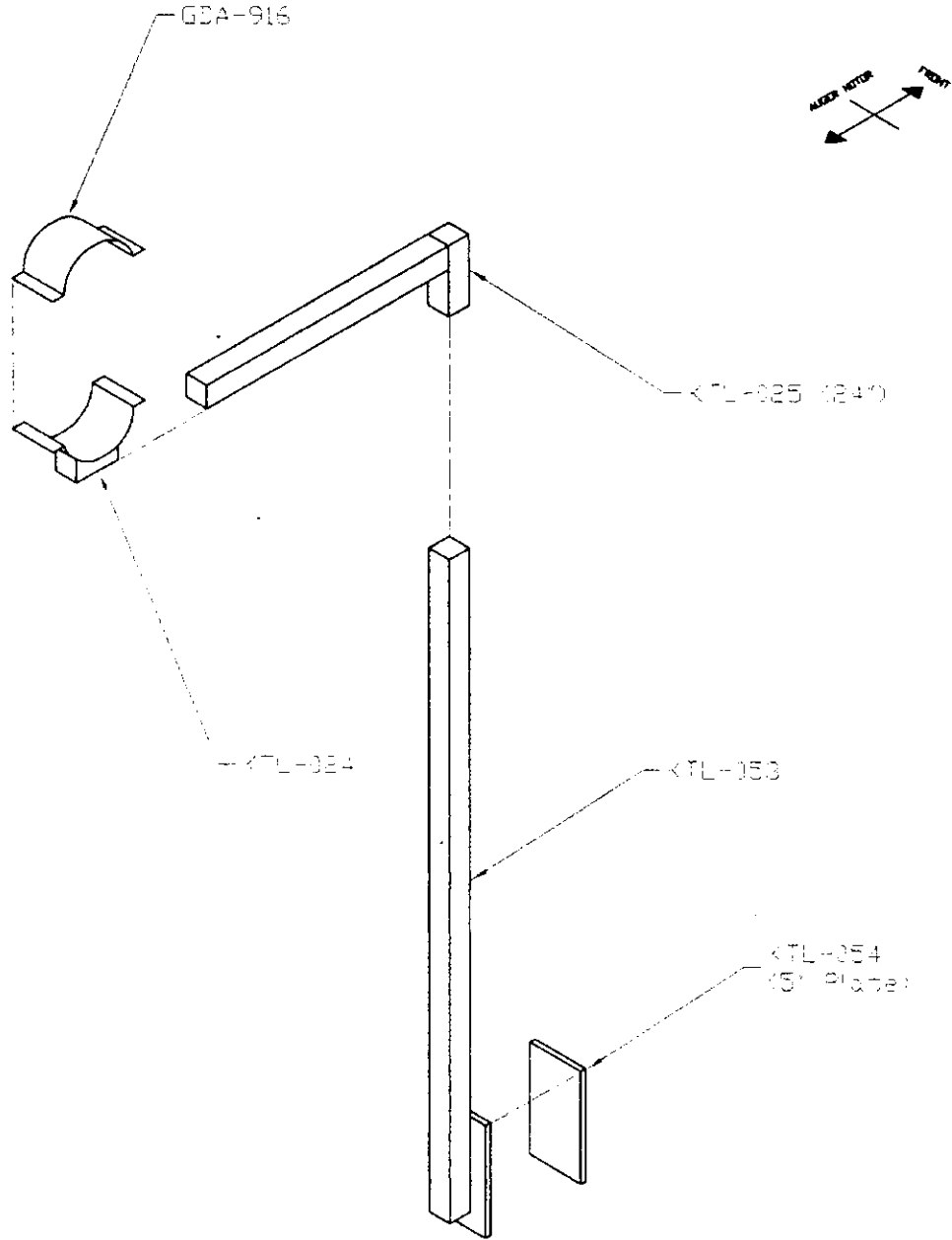
Date: 02/08/05



Scale: 1-1

User: JH

Bracket# 9,10



Part # -----

Rev. # 1

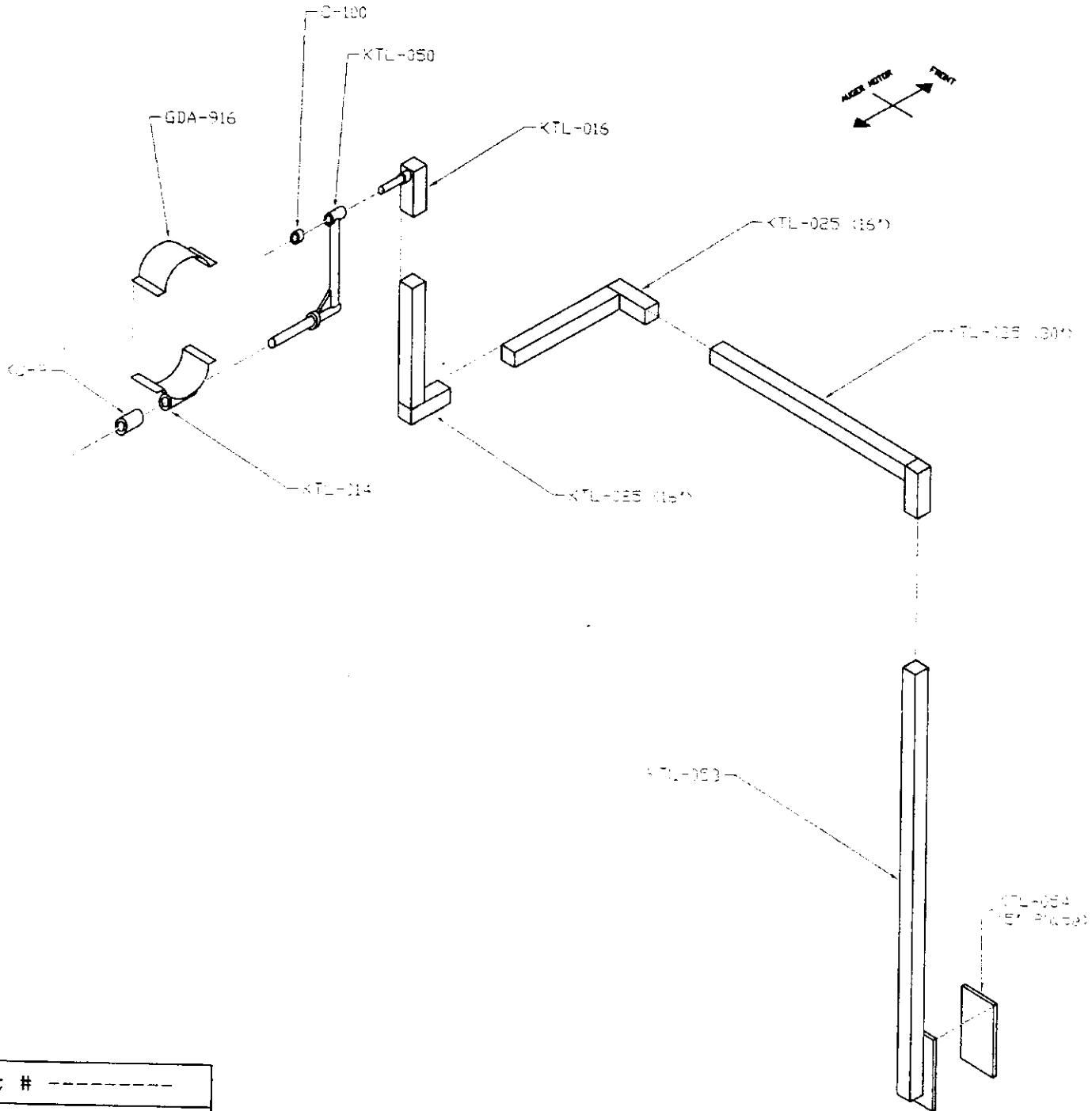
D. : 02/08/05

KASCO MFG. CO. INC.
SHELBYVILLE, INDIANA

Scale: 1-1

User: JH

Bracket# 12



Part # -----

Rev. # 1

Date: 02/08/05

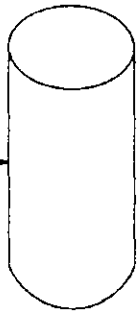
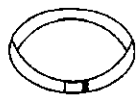
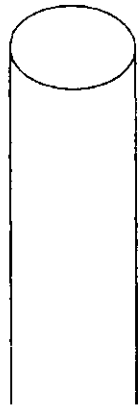
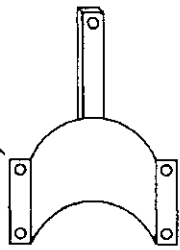
KASCO MFG. CO. INC.
SHELBYVILLE, INDIANA

Scale: 1-1

User: JH

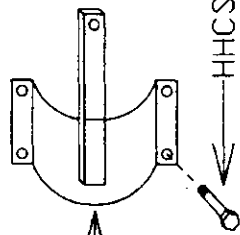
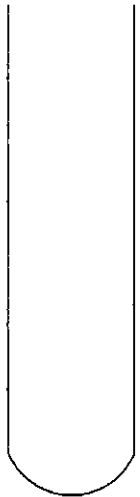
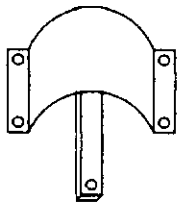
LW-38

N-38



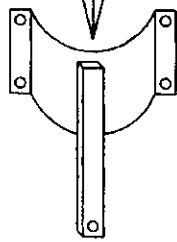
KTL-022

KTL-021



KTL-020

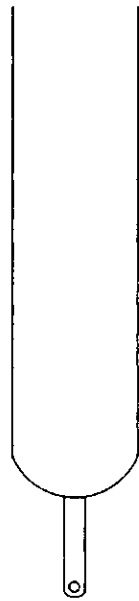
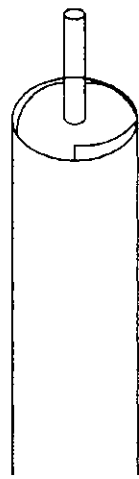
HHCS-38214



KTL-019

N-38

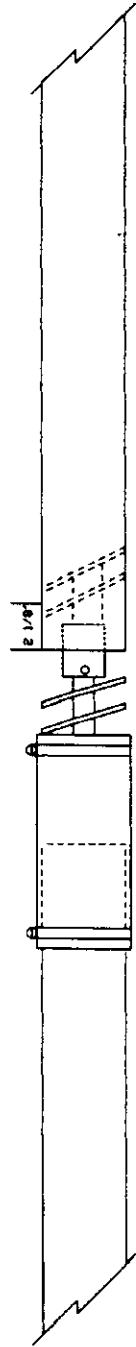
LW-38



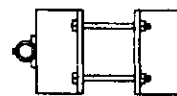
KTL-023

HHCS-38214

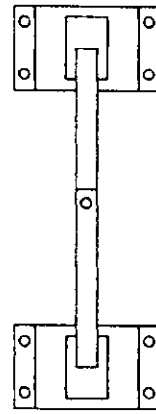
After connecting the flighting. Mark the PVC tube at 2 1/8" for reference, stop point, of outer connector. (rubber boot)

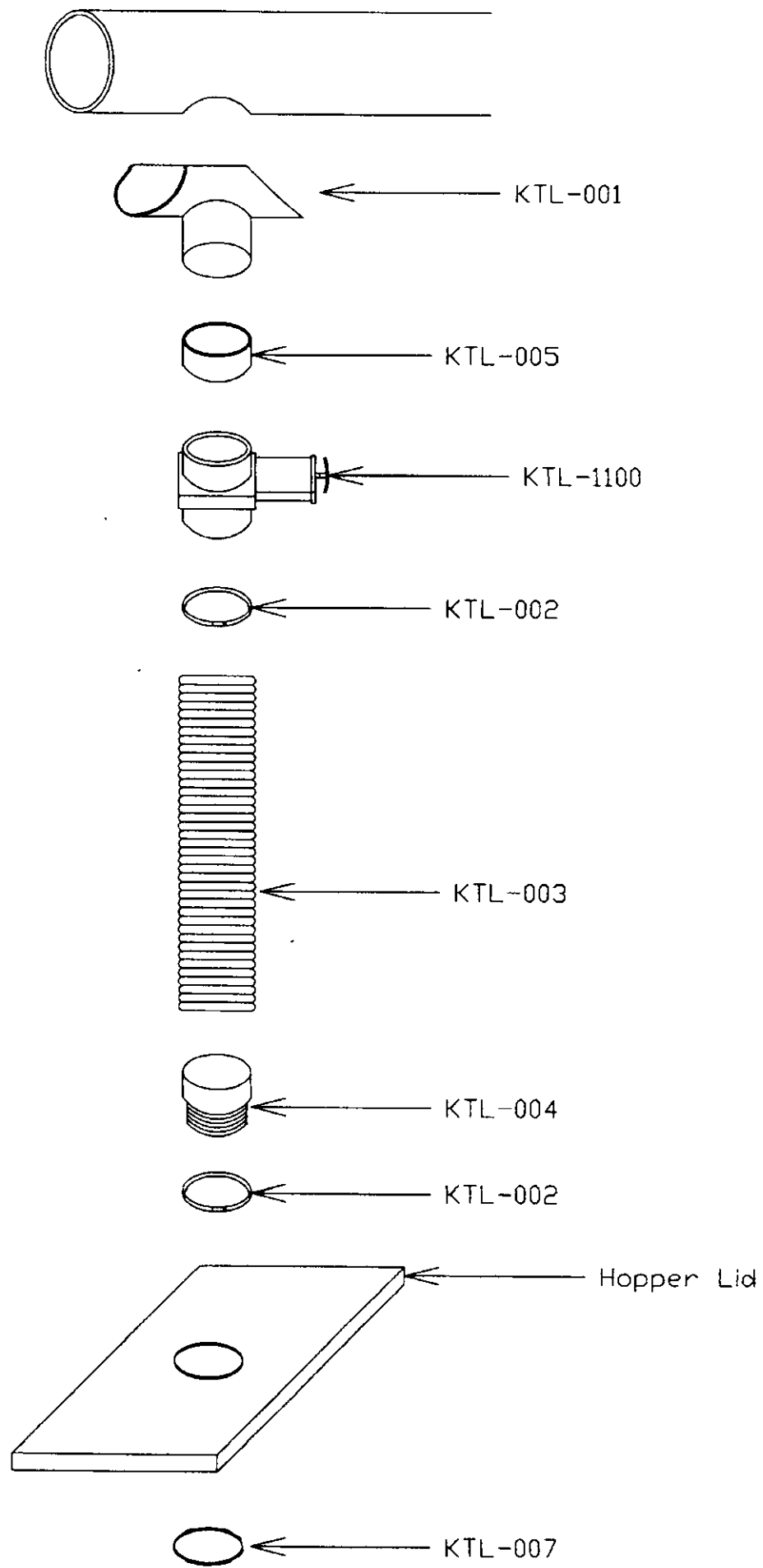


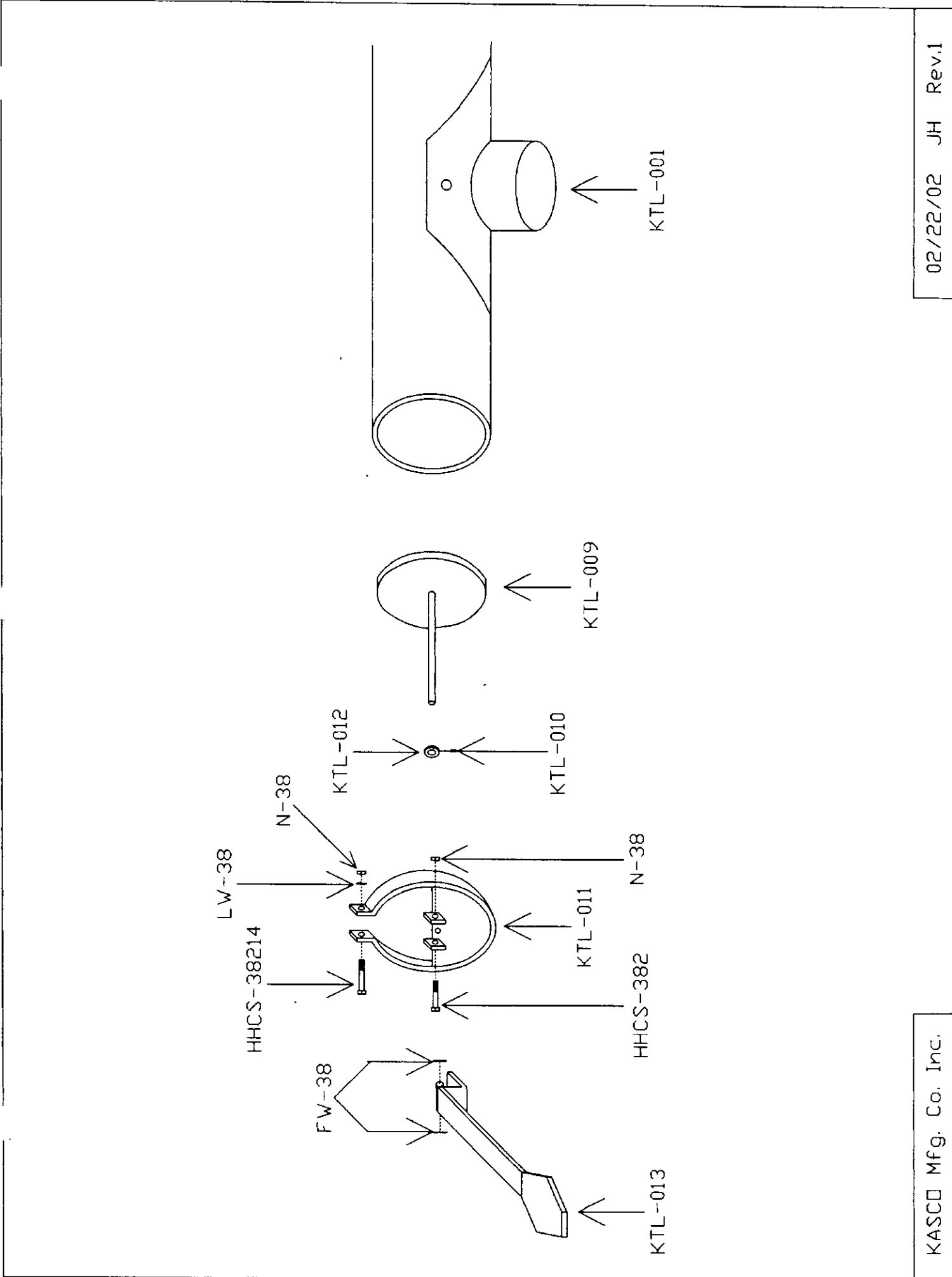
Then assemble hinge assembly



4" Band Assembly
(1) on each end







IS388

G1K274 COIL KIT AND/OR G1K275/G1K276 SOLENOID VALVE KIT HOUSING/CONTACT INSTALLATION PROCEDURES

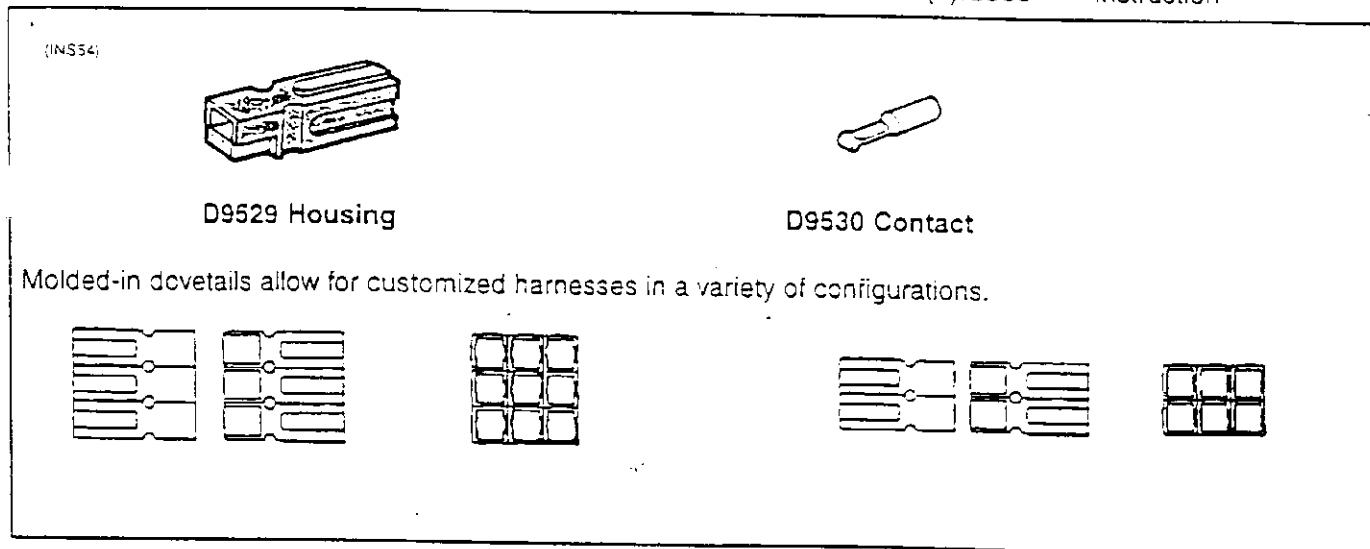
Before beginning installation, read completely through these instructions.

The information used in these instructions was current at the time of printing. However, due to KINZE's continual attempt to improve its product, production changes may cause your machine to appear slightly different in detail. KINZE Manufacturing, Inc. reserves the right to change specifications or design without notice and without incurring obligation to install the same on machines previously manufactured.

G1K274 Coil Kit and G1K275/G1K276 Solenoid Valve Kits include two housing connectors and two contact connectors. Identical connector housings are genderless - making assembly quick and easy.

Part numbers and quantities are as follows:

| <u>G1K274 Coil Kit</u> | | <u>G1K275 Solenoid Valve Kit</u> | | <u>G1K276 Solenoid Valve Kit</u> | |
|------------------------|-------------|----------------------------------|----------------|----------------------------------|----------------|
| (1) --- | Coil | (1) --- | Solenoid Valve | (1) --- | Solenoid Valve |
| (2) D9529 | Housing | (2) D9529 | Housing | (2) D9529 | Housing |
| (2) D9530 | Contact | (2) D9530 | Contact | (2) D9530 | Contact |
| (1) IS388 | Instruction | (1) IS388 | Instruction | (1) IS388 | Instruction |



Follow these steps when utilizing the D9529 housings and D9530 contacts contained in this package.

STEP 1: Crimp a contact onto one of the coil wire leads. The second wire lead on the coil goes to the ground clamp on the planter frame.

