

# OWNERS MANUAL

“Auger Seed Fill Sys.”

Model # - KA-3900

For JD 1990 Planter

Serial # - \_\_\_\_\_ -



170 W 600 N  
Shelbyville, IN 46176  
(317) 398-4636 or  
(317) 398-7973  
FAX (317) 398-2107



## LIMITED WARRANTY

Kasco Mfg. Co., Inc., hereinafter referred to as "Kasco" warrants all its products against defects in materials and workmanship for one year after date of purchase, except those component parts not manufactured by "Kasco" which parts are warranted by "Kasco" only to the extent of the original manufacturers warranty.

Should any part manufactured by "Kasco" prove defective within one year from date of purchase, supposed defective part shall be returned freight paid to our "Kasco" factory for Kasco's consideration. If found to be defective by "Kasco", credit will be issued through proper channels, distributor and/or dealer.

Kasco will not assume liability for any labor costs, loss or damage caused by defective part, or consequential damages or operational delays.

Altering or misuse of a part may void "Kasco's Warranty". Repairing of a part without the expressed permission of "Kasco" voids the "Kasco Warranty".

"Kasco" neither assumes nor authorizes any person to assume for "Kasco" any other obligations or liability in connection with the sale of its equipment.

"Kasco" reserves the right to make improvements in design or changes in specifications at any time without incurring any obligations to owners of equipment previously sold.

---

# **SAFETY PRECAUTIONS**

**MOST ACCIDENTS OCCUR BECAUSE OF NEGLIGENCE OR CARELESSNESS. AVOID NEEDLESS ACCIDENTS BY FOLLOWING ALL OF THE SAFETY PRECAUTIONS LISTED BELOW.**

1. Machinery should be operated by those who are responsible and are authorized to do so.
2. Stop the engine, lower all equipment, lock the brakes, and remove ignition key before dismounting the tractor.
3. Never stand between tractor and implement while the tractor is being backed to hitch.
4. Loose fitting clothing should not be worn, to avoid catching on various parts.
5. Detach implement in area where children do not normally play.
6. When performing adjustments or maintenance on an implement, first lower it to the ground or block it securely at a workable height.
7. Only a qualified operator should be permitted on tractor when in operation.
8. Make certain everyone is in the clear before starting tractor, raising, or lowering equipment.
9. Operate the tractor and implement only while seated in the drivers seat.
10. Reduce speed when transporting mounted implements to avoid bouncing and momentary loss of steering control.
11. A heavy load can cause instability of the tractor. Use extreme care during road travel. Slow down on turns and watch out for bumps. Tractor may need counter-weights to counter-balance the weight of the implement.
12. Reduce speed on hillsides or curves so there is no danger of tipping.
13. Avoid driving too close to the edge of ditches or creeks.
14. Do not transport implement on public roads without reflectors and slow moving vehicle emblem in daylight and with approved warning lights at night and other periods of poor visibility.
15. Due to the width of some implements, use extra caution on highways, farm roads, and when approaching gates.
16. Keep alert and watch the front as well as the rear when working with the implement.

---

## **Equipment safety**

Before operating your machine, stop and read the owner/operator manual. Do not operate your machine until you fully understand the material covered in this owner/operator manual. Failure to read this manual and follow these safety and operating instructions could result in serious bodily injury or even death.

## **Never Operate your Auger while intoxicated**

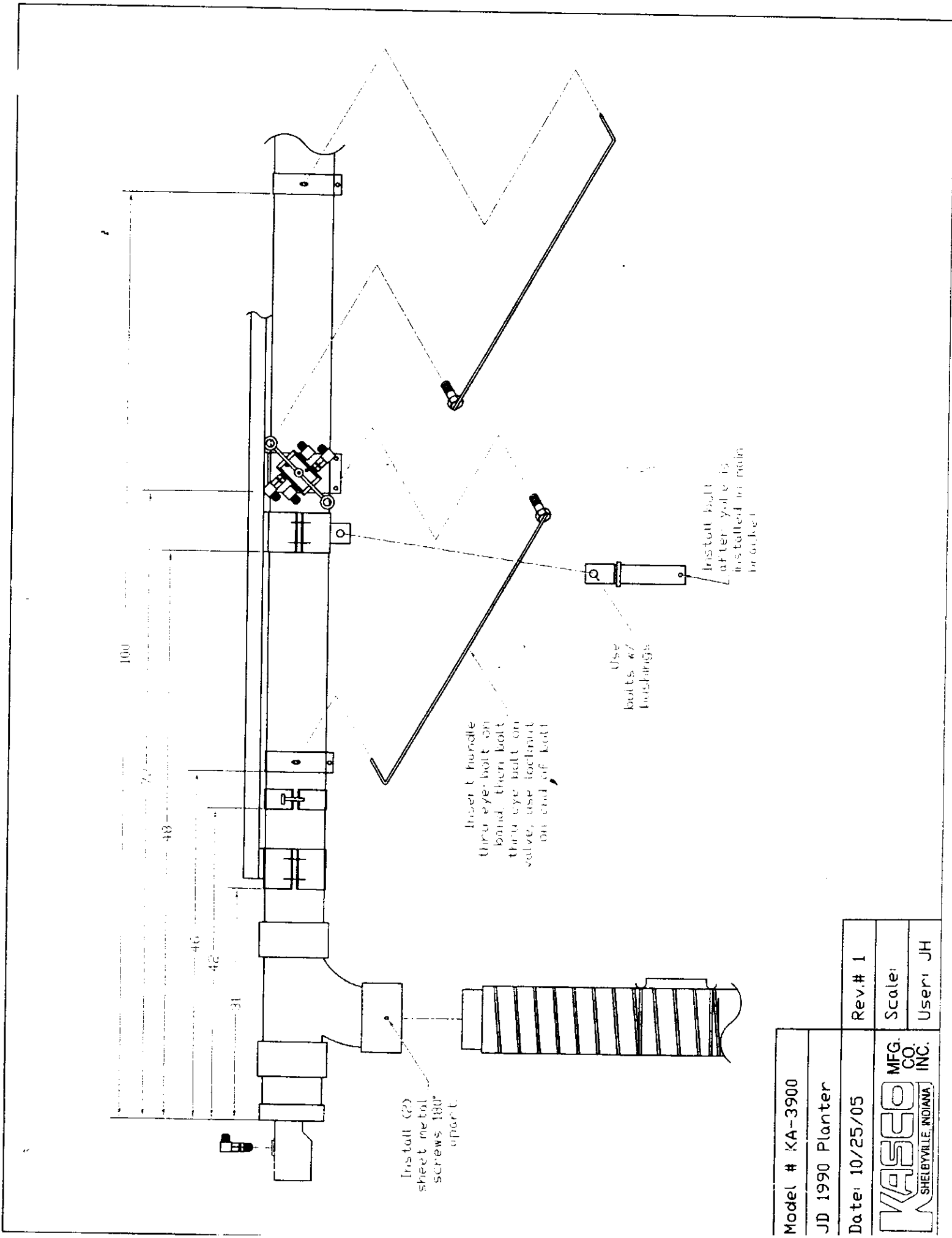
Operating the Auger using any drug/medication that impairs the sense of judgement is prohibited. Avoid operating skid steer's anytime judgement is impaired. Use good judgement about your physical ability. Even minor illness can impair judgement.

## **Operation and Maintenance**

Before operation begins a visual inspection of the Auger is required. Check all nuts and bolts for tightness before operation. Inspect hydraulic lines and fittings for leaks. Be sure all hydraulic fittings and lines are tight.

## **Safety Decals**

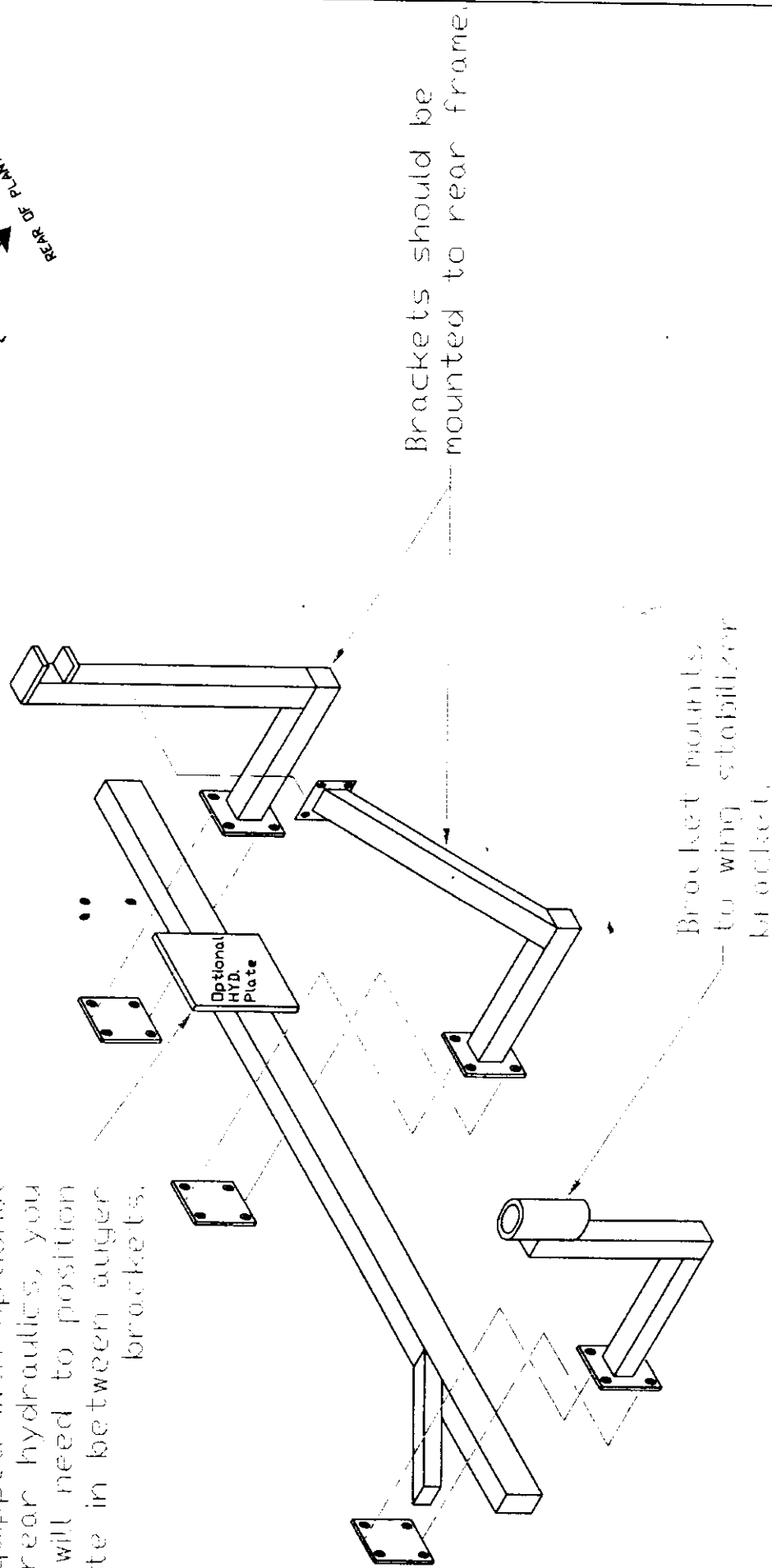
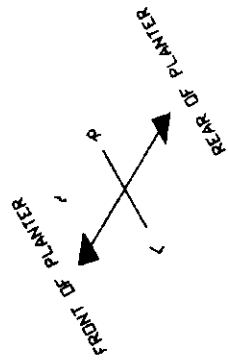
The following safety decals should be attached to the equipment at all times. Should any decal become damaged or lost, it is the responsibility of the owner to replace it. Additional decals may be purchased from the manufacturer.



Model # KA-3900	Rev.# 1
JD 1990 Planter	Scale:
Date: 10/25/05	User: JH
<b>KASCO</b> MFG. CO. INC. SHELBYVILLE, INDIANA	

# Model # 3930, 3936

If your planter is equipped with optional rear hydraulics, you will need to position plate in between auger brackets.



Model # KA-3900

Tolerance: +/- n/a

Date: 1/7/06

Rev.# 1

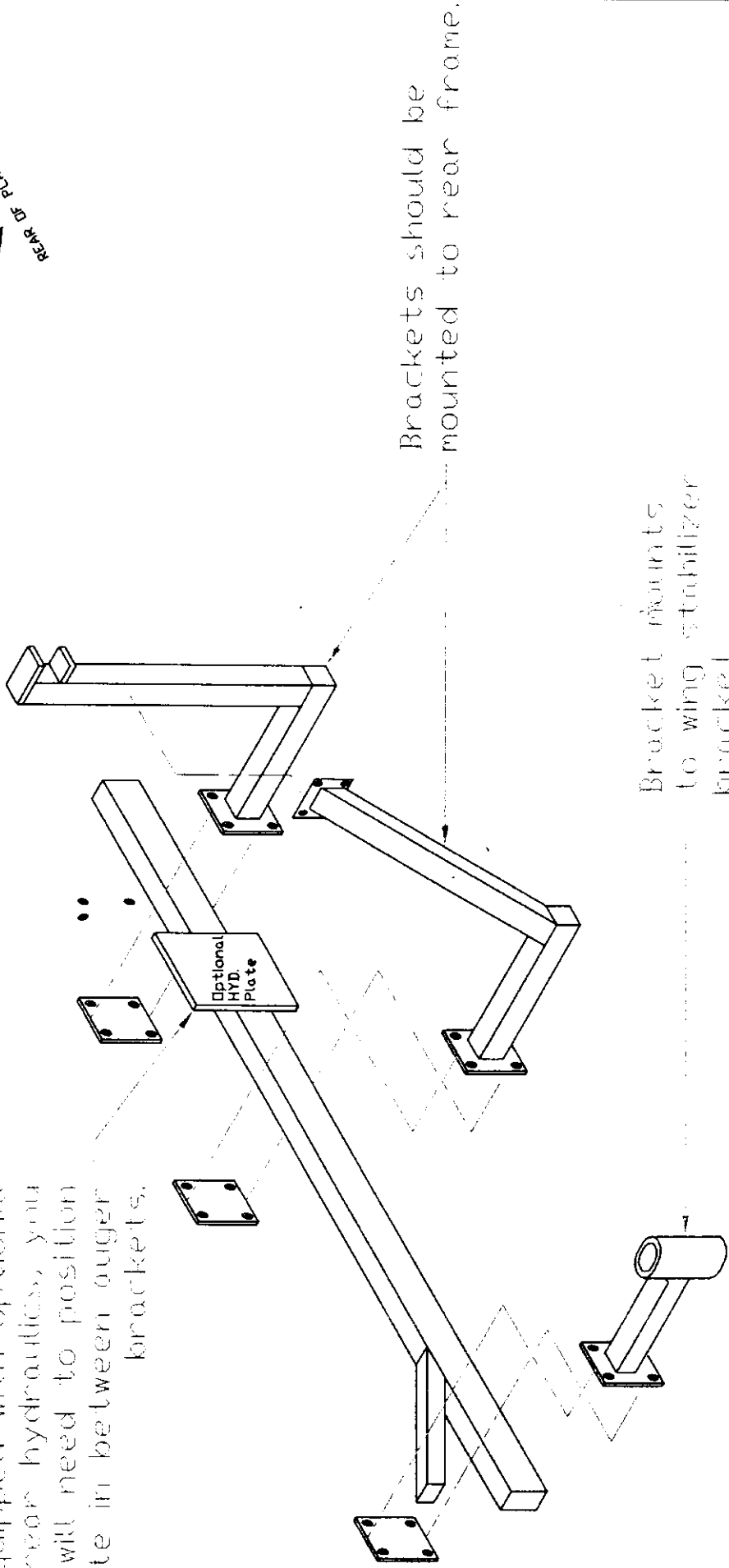
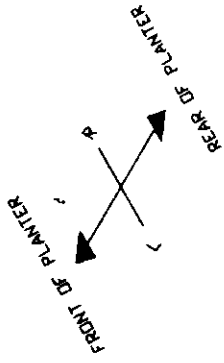
**KASCO**  
MFG.  
CO.  
INC.  
SHELBYVILLE, INDIANA

Scale: n/a

User: JH

# Model # 3940,3942

If your planter is equipped with optional hydraulics, you will need to position plate in between auger brackets.



Model # KA-3900	Rev.# 1
Tolerance: +/- n/a	Scale:n/a
Date: 1/7/06	User: JH
<b>KASCO</b> MFG. CO. INC. SHELBYVILLE, INDIANA	

PARTS LIST

KA-3930,3936

Fits JD 1990

Qty.	Part#	Desc.
1	KA-914	Main Mtg. Brkt.
1	KA-912	Transport Brkt.
1	GWA-142	Valve and Band Assm.
4	GWA-933	2" Plain Bands
4	GWA-916	4" Plain Bands
1	GDA-905a	(Tall w/13 1/4" yoke)
1	KA-905	(Short w/7 1/4" yoke)
1	KA-917	Mtg. Plate
1	GDA-908	Locking Band
1		5' Flex Hose
2		6" Hose Clamps
1		Hose Handle
1		73" Hyd. Hose
1		75" Hyd. Hose
1	GDA-891a	
1	KA-911	Mtg. Plate
2	Ka-907	Control Arms



## PARTS LIST

KA-3940,3942

Fits JD 1990

Qty.	Part#	Desc.
1	KA-914	Main Mtg. Brkt.
1	KA-916	Transport Brkt.
1	GWA-142	Valve and Band Assm.
4	GWA-933	2" Plain Bands
4	GWA-916	4" Plain Bands
1	GDA-905a	(Tall w/13 1/4" yoke)
1	KA-905	(Short w/7 1/4" yoke)
3	KA-917	Mtg. Plate
1	GDA-908	Locking Band
1		5' Flex Hose
2		6" Hose Clamps
1		Hose Handle
1		73" Hyd. Hose
1		75" Hyd. Hose
1	GDA-891a	
1	KA-911	Mtg. Plate
2	Ka-907	Control Arms

## BOLT LIST

KA-3930,3936

Fits JD 1990

Qty.	Size	Desc.
1		Tee Handle
2	3/4"LN	Lock Nut
12	5/8"x6"	Bolt
12	5/8"	Lock Washers
12	5/8"	Nuts
4	5/8"x1 1/2"	Bolt
4	5/8"	Lock Nut
4	3/4"	Bushings
22	3/8"x2 1/4"	Bolt
22	3/8"	Lock Washers
22	3/8"	Nuts
2	#10	Self Tapping Screws
1	1/4"x3/4"	Bolt
1	1/4"	Lock Washer
1	1/4"	Nut
1	RTB-01	
1	1"x6"	Pin
1	1/4"	Lynch Pin
1	1/2"x1 3/4"	Pin
1	1/8"	Hair Pin
2	5/8"x3 1/8"x4 1/4"	U-Bolt
4	5/8"	Nuts
4	5/8"	Lock Washers
2	XH-71	Hyd. Fitting
2	XH-62	Hyd. Fitting

## BOLT LIST

KA-3940,3942

Fits JD 1990

Qty.	Size	Desc.
1		Tee Handle
2	3/4"LN	Lock Nut
4	5/8"x5"	Bolt
8	5/8"x6"	Bolt
12	5/8"	Lock Washers
12	5/8"	Nuts
4	5/8"x1 1/2"	Bolt
4	5/8"	Lock Nut
4	3/4"	Bushings
22	3/8"x2 1/4"	Bolt
22	3/8"	Lock Washers
22	3/8"	Nuts
2	#10	Self Tapping Screws
1	1/4"x3/4"	Bolt
1	1/4"	Lock Washer
1	1/4"	Nut
1	RTB-01	
1	1"x6"	Pin
1	1/4"	Lynch Pin
1	1/2"x1 3/4"	Pin
1	1/8"	Hair Pin
2	5/8"x3 1/8"x4 1/4"	U-Bolt
4	5/8"	Nuts
4	5/8"	Lock Washers
2	XH-71	Hyd. Fitting
2	XH-62	Hyd. Fitting